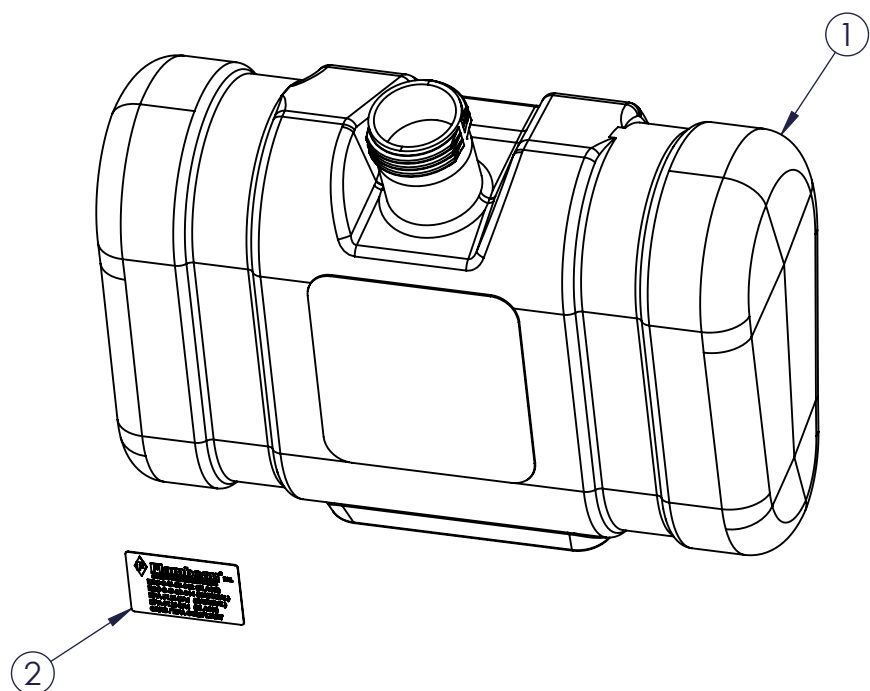
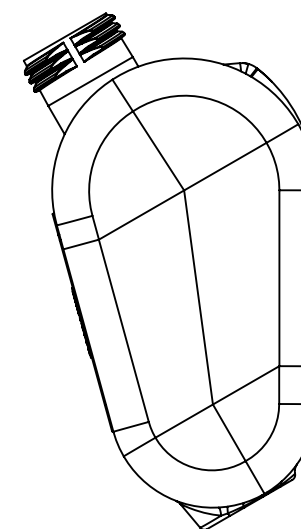
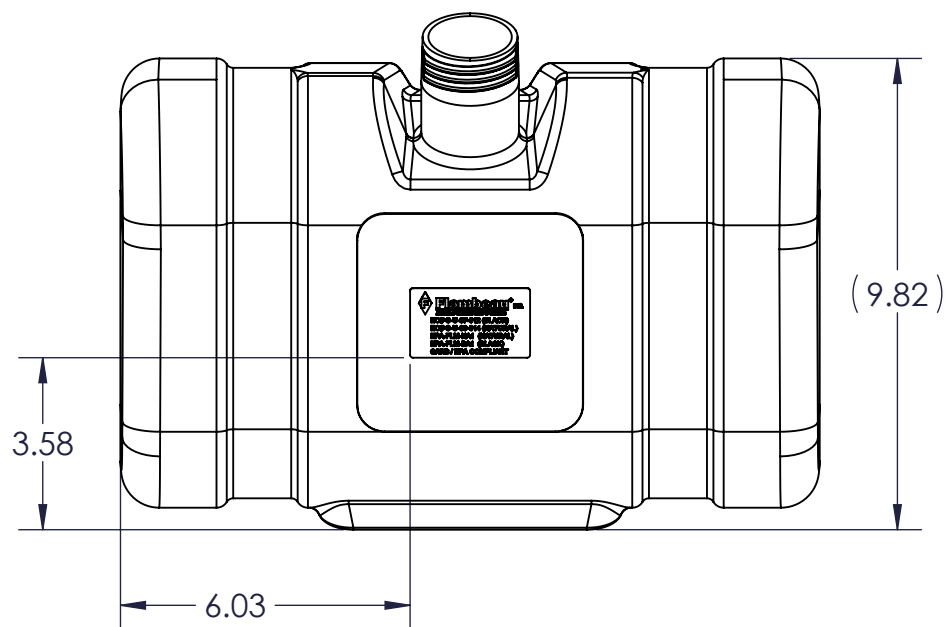
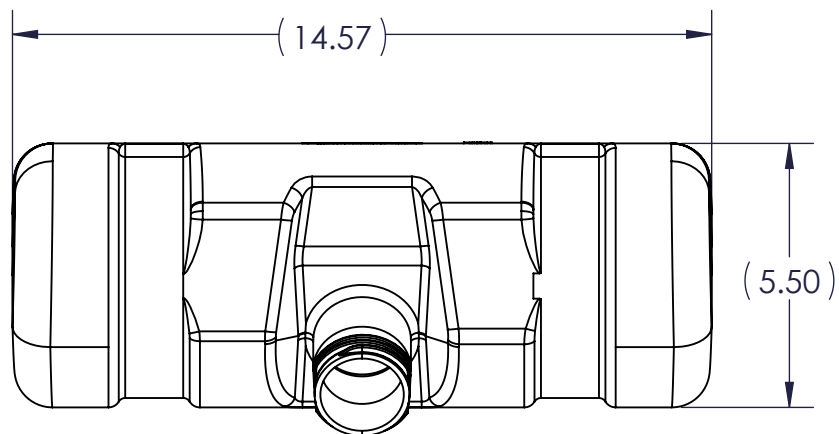



REVISIONS					
REV	ECR	DESCRIPTION	DATE	BY	APR
A	NPN	RELEASED FOR PRODUCTION	10-21-14	ANA	SAB



2	477026x	477026	CARB/EPA FUEL TANK LABEL	1
1	070972A-FL	NA	2 GALLON TANK, NATURAL	1
ITEM	FPN	DWG #	DESCRIPTION	QTY
<b>PROPRIETARY AND CONFIDENTIAL</b> THE INFORMATION CONTAINED IN THIS DRAWING IS THE SOLE PROPERTY OF FLAMBEAU, INC. ANY REPRODUCTION IN PART OR AS A WHOLE WITHOUT THE WRITTEN PERMISSION OF FLAMBEAU, INC. IS PROHIBITED.		SHT	 <b>FLAMBEAU, INC.</b> SCALE: 1:4    BFI NO: NA    DRAWN BY: ANA    DATE: 10-21-14 MOLD NO: 5685    MAT'L: NA    FPN: 071399AE	
<b>DIMENSIONS ARE IN INCHES.</b> THE FOLLOWING TOLERANCES APPLY UNLESS OTHERWISE SPECIFIED ANGULAR: ±3° TWO PLACE x.xx ±.125" THREE PLACE x.xxx ±.060" DIMENSIONS IN PARENTHESIS ( ) ARE FOR REFERENCE ONLY.		OF		
			DESCRIPTION:	
			TWO GALLON EPA/CARB FUEL TANK ASSEMBLY	
			CUSTOMER: US PLASTICS	DWG NO: 071399

CUSTOMER SIGN-OFF
COMPANY:
SIGNATURE:
PRINTED NAME:
DATE: